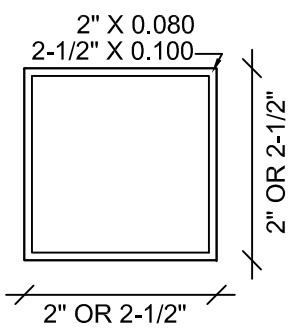
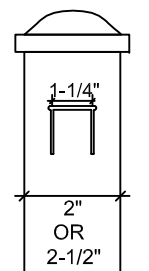


FENCE ELEVATION
SCALE: 1/2" = 1'-0"

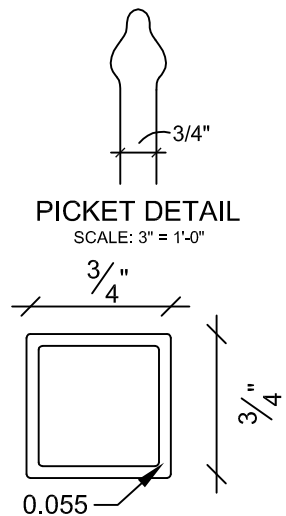
NOTE:
1-1/2" PICKET SPACING
AVAILABLE UPON REQUEST



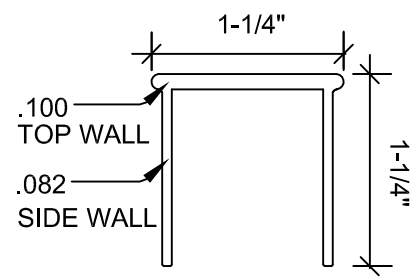
WALL POST TOP VIEW
SCALE: 6" = 1'-0"



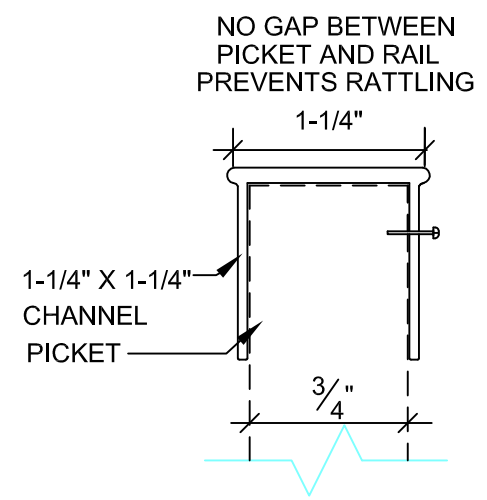
BEFREE™ WALL POST DETAIL
SCALE: 3" = 1'-0"



WALL PICKET TOPVIEW
SCALE: 1" = 1'-0"



RAIL DETAIL
SCALE: 1" = 1'-0"



PICKET FASTENED TO CHANNEL DETAIL
SCALE: 1" = 1'-0"

Royal Aluminum & Steel, Inc.

Manufacturers of Aluminum Fence & Rails
51401 Chesterfield Rd.
Chesterfield Twp., MI 48051
(586) 421-0057
Toll Free (800) 543-3231
www.royalfences.com



BRC-10 COMMERCIAL FENCE ELEVATION

COPYRIGHT © 2007 ROYAL ALUMINUM & STEEL, INC.
DO NOT COPY OR REPRODUCE WITHOUT WRITTEN AUTHORIZATION