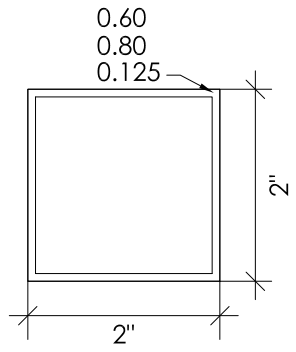


**FENCE ELEVATION**

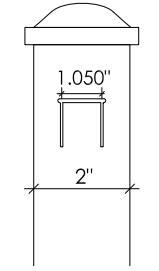
SCALE: 1/2" = 1'-0"

NOTE:  
1-5/8" & 2-7/8" PICKET SPACING  
AVAILABLE UPON REQUEST

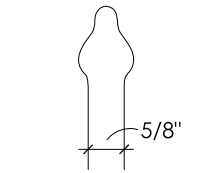
NOTE:  
POST EXTENDS 1-7/8" BEYOND  
TOP OF TOP RAIL



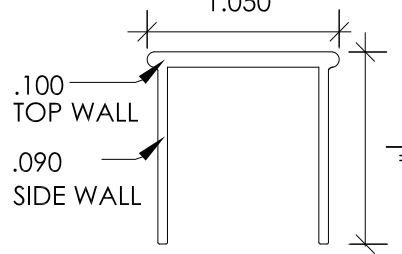
**WALL POST TOP VIEW**  
SCALE: 6" = 1'-0"



**BEFREE WALL POST DETAIL**  
SCALE: 3" = 1'-0"

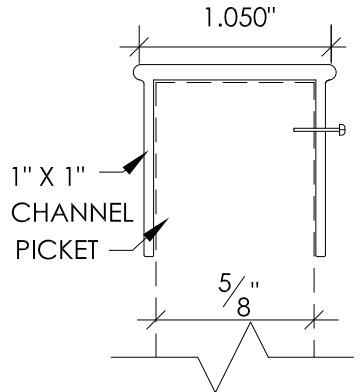


**PICKET DETAIL**  
SCALE: 3" = 1'-0"

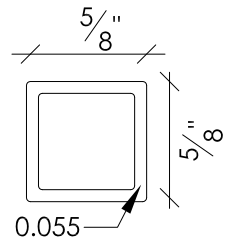


**RAIL DETAIL**  
SCALE: 1" = 1'-0"

NO GAP BETWEEN PICKET AND RAIL PREVENTS RATTLING



**PICKET FASTENED TO CHANNEL DETAIL**  
SCALE: 1" = 1'-0"



**WALL PICKET TOPVIEW**  
SCALE: 1" = 1'-0"



**Royal Aluminum & Steel, Inc.**

Manufacturers of Aluminum Fence & Rails  
51401 Chesterfield Rd.  
Chesterfield Twp., MI 48051  
(586) 421-0057  
Fax (586) 421-0081  
Toll Free (800) 543-3231

**R-45 RESIDENTIAL FENCE ELEVATION**

©2013 Royal Aluminum & Steel, Inc.  
Befree, Royal & Casile are registered trademarks of Royal Aluminum & Steel, Inc.  
Patent # 7,857,992 - Patent # 8,167,776 - Patent # 8,150,465, 5,110, 5, and other patents pending