

NOTE:
1-5/8" & 2-7/8" PICKET SPACING
AVAILABLE UPON REQUEST

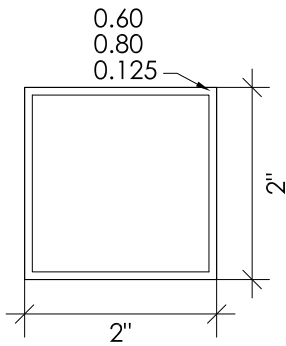
NOTE:
POST EXTENDS 1" BEYOND
TOP OF TOP RAIL

FENCE ELEVATION
SCALE: 1/2" = 1'-0"

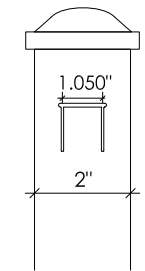


Royal Aluminum & Steel, Inc.

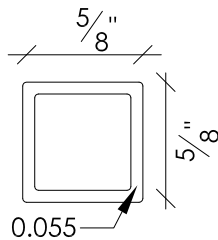
Manufacturers of Aluminum Fence & Rails
51401 Chesterfield Rd.
Chesterfield Twp., MI 48051
(586) 421-0057
Fax (586) 421-0081
Toll Free (800) 543-3231
www.royalfences.com



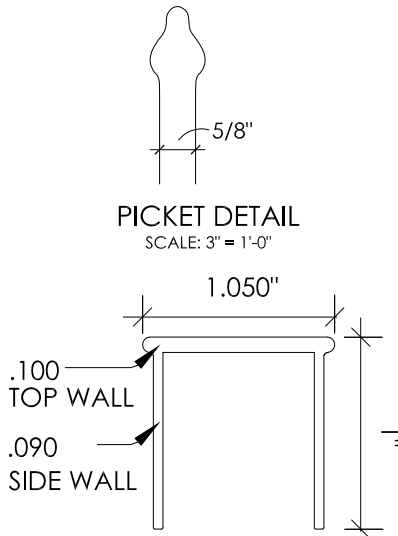
**WALL POST
TOP VIEW**
SCALE: 6" = 1'-0"



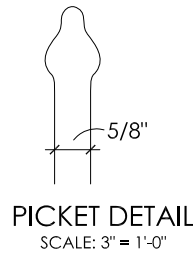
**BEFREE™
WALL POST
DETAIL**
SCALE: 3" = 1'-0"



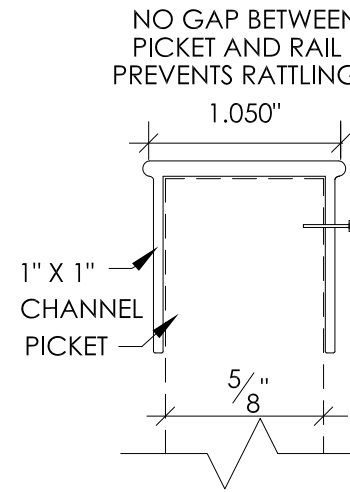
**WALL PICKET
TOPVIEW**
SCALE: 1" = 1'-0"



RAIL DETAIL
SCALE: 1" = 1'-0"



PICKET DETAIL
SCALE: 3" = 1'-0"



**PICKET FASTENED
TO CHANNEL DETAIL**
SCALE: 1" = 1'-0"

**BR-10 RESIDENTIAL FENCE
ELEVATION**

©2013 Royal Aluminum & Steel, Inc.
Befree, Royal & Castle are registered trademarks of Royal Aluminum & Steel, Inc.
Patent # 7,857,292 - Patent # 8,167,276 - Patent # USD 665,510 S and other patents pending.