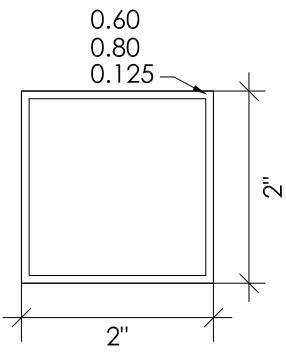


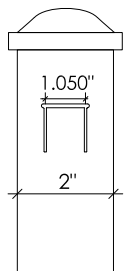
FENCE ELEVATION
SCALE: 1/2" = 1'-0"

NOTE:
1-5/8" & 2-7/8" PICKET SPACING
AVAILABLE UPON REQUEST

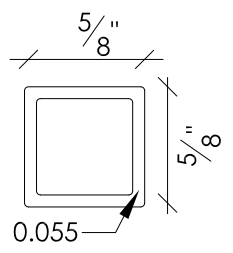
NOTE:
POST EXTENDS 1" BEYOND
TOP OF HIGHEST PICKET



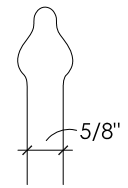
WALL POST
TOP VIEW
SCALE: 6" = 1'-0"



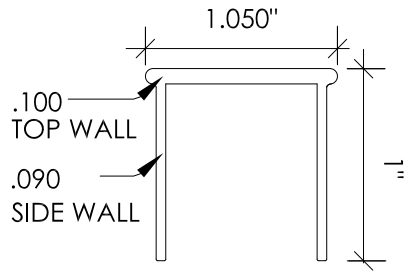
BEFREE™
WALL POST
DETAIL
SCALE: 3" = 1'-0"



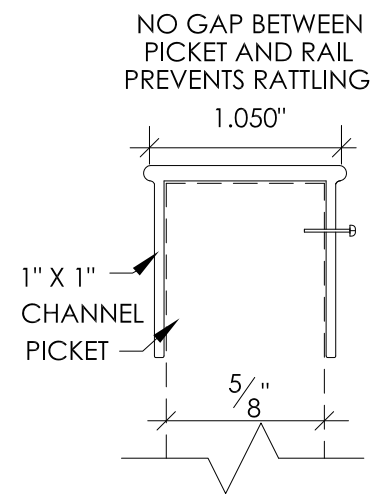
WALL PICKET
TOPVIEW
SCALE: 1" = 1'-0"



PICKET DETAIL
SCALE: 3" = 1'-0"



RAIL DETAIL
SCALE: 1" = 1'-0"



PICKET FASTENED
TO CHANNEL DETAIL
SCALE: 1" = 1'-0"



Royal Aluminum & Steel, Inc.

Manufacturers of Aluminum Fence & Rails
 51401 Chesterfield Rd.
 Chesterfield Twp., MI 48051
 (586) 421-0057
 Fax (586) 421-0081
 Toll Free (800) 543-3231
 www.royalfences.com

**R-10 CONVEX
RESIDENTIAL FENCE ELEVATION**

©2013 Royal Aluminum & Steel, Inc.
 Befree, Royal & Casite are registered trademarks of Royal Aluminum & Steel, Inc.
 Patent # 7,857,292 - Patent # 8,167,276 - Patent # USD 665,510 S and other patents pending.