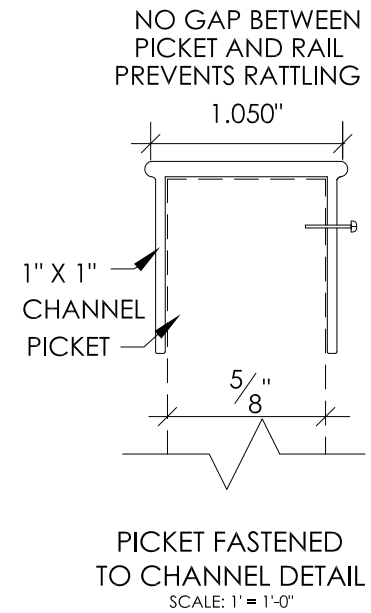
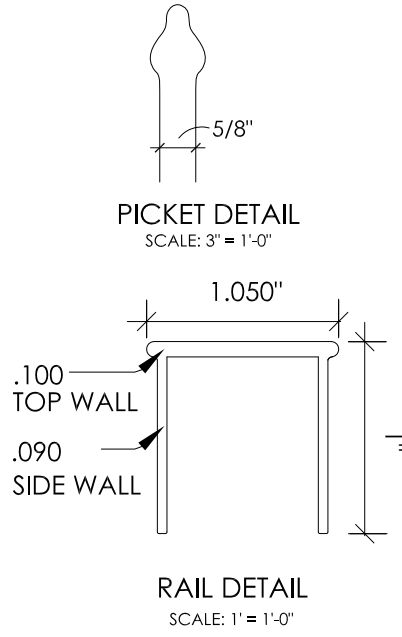
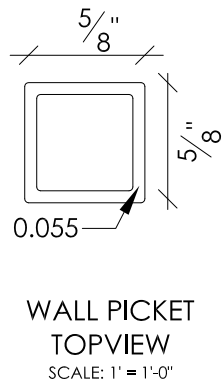
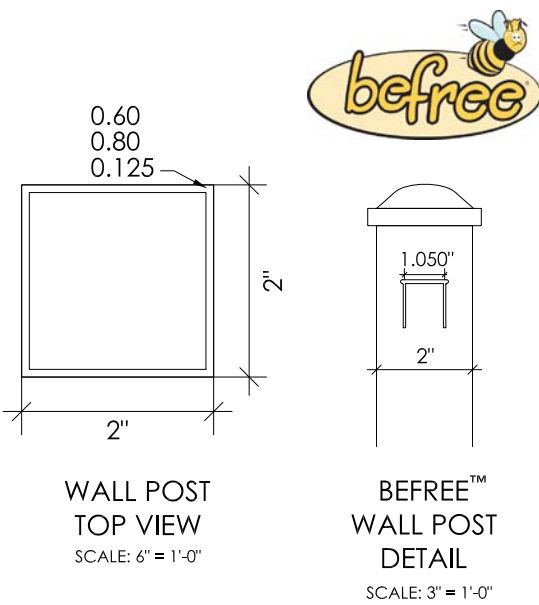


Royal Aluminum & Steel, Inc.

Manufacturers of Aluminum Fence & Rails
 51401 Chesterfield Rd.
 Chesterfield Twp., MI 48051
 (586) 421-0057
 Fax (586) 421-0081
 Toll Free (800) 543-3231
 www.royalfences.com



MR-30 RESIDENTIAL FENCE ELEVATION

©2013 Royal Aluminum & Steel, Inc.
 Befree, Royal & Castle are registered trademarks of Royal Aluminum & Steel, Inc.
 Patent # 7,857,292 - Patent # 8,167,276 - Patent # USD 665,510 S and other patents pending.